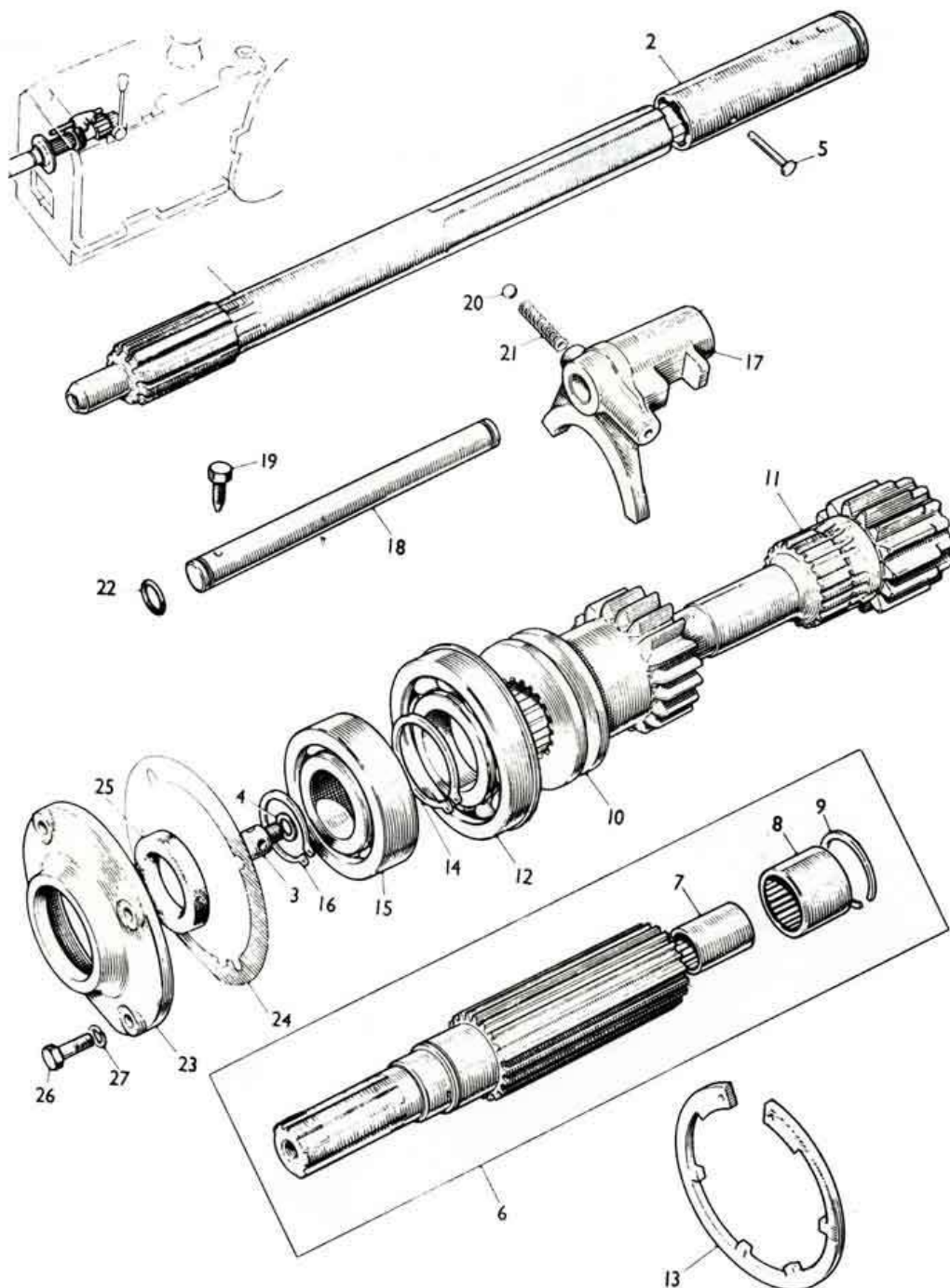


# LEYLAND GEARBOX HIGH LOW ASSEMBLY

Leyland tractors with a 5x2 10 speed gearbox



<a href="#">NT8065 Shaft</a>	<a href="#">ATJ7363 Sleeve</a>	<a href="#">ATJ7240 Plug</a>	<a href="#">ATJ1027 Plug</a>	<a href="#">CLZ0427 Pin</a>
<a href="#">CLZ0426 Pin</a>	<a href="#">ATJ7654 Shaft Assy</a>	<a href="#">ATJ7895 Shaft Assy</a>	ATJ2089 Bearing	ATJ2074 Bearing
ATJ1067 Ring-spring	<a href="#">ATJ7643 Gear-sliding</a>	ATJ7644 Shaft	<a href="#">ATJ2060 Bearing</a>	ATJ2016 Circlip
ATJ1066 Circlip	6K777 Bearing	ESC040 Circlip	ATJ7527 Fork	ATJ7528 Shaft
ATJ7900 Shaft	ATJ7901 Pin-detent	ATJ1090 Spring	NT5798 Pin	ATJ7775 Pin
<a href="#">BLS110 Ball-detent</a>	<a href="#">ATJ1003 Spring-ball</a>	<a href="#">TRS0710 'O' ring</a>	ATJ7521 Cover	ATJ7522 Joint-cover
ATJ7774 Joint-cover	<a href="#">3H2129 Seal-oil</a>	<a href="#">ATJ2123 Seal-oil</a>	HNS0510 Screw	LWN205 Washer